



**South Coast
Air Quality Management District**
21865 Copley Drive, Diamond Bar, CA 91765
(909) 396-2000, www.aqmd.gov

HYBRID STATIONARY SOURCE COMMITTEE MEETING

Committee Members

Mayor Larry McCallon, Chair
Supervisor Holly J. Mitchell, Vice Chair
Councilmember Michael A. Cacciotti
Senator Vanessa Delgado (Ret.)
Board Member Veronica Padilla-Campos
Councilmember José Luis Solache

April 21, 2023 ♦ 10:30 a.m.

TELECONFERENCE LOCATIONS

Kenneth Hahn Hall of Administration
500 W. Temple Street
HOA Room 372
Los Angeles, CA 90012

Office of Senator Vanessa Delgado
6055 E. Washington Blvd., Suite 495
Commerce, CA 90040

Lynwood City Hall
11330 Bullis Road
(Council Chambers Conference Room)
Lynwood, CA 90262

A meeting of the South Coast Air Quality Management District Stationary Source Committee will be held at 10:30 a.m. on Friday, April 21, 2023 through a hybrid format of in-person attendance in the Dr. William A. Burke Auditorium at the South Coast AQMD Headquarters, 21865 Copley Drive, Diamond Bar, California, and remote attendance via videoconferencing and by telephone. Please follow the instructions below to join the meeting remotely.

Please refer to South Coast AQMD's website for information regarding the format of the meeting, updates if the meeting is changed to a full remote via webcast format, and details on how to participate:

<http://www.aqmd.gov/home/news-events/meeting-agendas-minutes>

ELECTRONIC PARTICIPATION INFORMATION

(Instructions provided at bottom of the agenda)

Join Zoom Webinar Meeting - from PC or Laptop

<https://scaqmd.zoom.us/j/94141492308>

Zoom Webinar ID: 941 4149 2308 (applies to all)

Teleconference Dial In

+1 669 900 6833

One tap mobile

+16699006833,94141492308#

Audience will be allowed to provide public comment in person or through Zoom connection or telephone.

PUBLIC COMMENT WILL STILL BE TAKEN

Cleaning the air that we breathe...

AGENDA

Members of the public may address this body concerning any agenda item before or during consideration of that item (Gov't. Code Section 54954.3(a)). If you wish to speak, raise your hand on Zoom or press Star 9 if participating by telephone. All agendas for regular meetings are posted at South Coast AQMD Headquarters, 21865 Copley Drive, Diamond Bar, California, at least 72 hours in advance of the regular meeting. Speakers may be limited to three (3) minutes total for all items on the agenda.

CALL TO ORDER

ROLL CALL

INFORMATIONAL ITEM (Item 1)

- 1. Status of Proposed Amended Rule 1405 – Control of Ethylene Oxide Emissions from Sterilization and Related Operations (10 mins)** Michael Krause
(No Motion Required) Assistant Deputy
Executive Officer
Proposed Amended Rule 1405 includes new and enhanced requirements to further reduce stack and fugitive ethylene oxide emissions from sterilization operations, as well as reporting requirements for certain warehouses that receive materials sterilized by ethylene oxide. Staff will provide a briefing on the proposed amended rule and any key remaining issues.
(Written Material Attached)

WRITTEN REPORTS (Items 2 through 4)

- 2. Monthly Update of Staff's Work with U.S. EPA and CARB on New Source Review Issues for the Transition of RECLAIM Facilities to a Command-and-Control Regulatory Program (No Motion Required)** Michael Krause
This is a monthly update on staff's work with U.S. EPA and CARB regarding New Source Review issues related to the RECLAIM transition.
(Written Material Attached)
- 3. Twelve-month and Three-month Rolling Average Price of Compliance Years 2022 and 2023 NOx and SOx RTCs (January – March 2023) (No Motion Required)** Jason Aspell
Deputy Executive
Officer
The attached report summarizes the twelve-month and three-month rolling average prices of NOx and SOx RTCs.
(Written Material Attached)
- 4. Notice of Violation Penalty Summary (No Motion Required)** Bayron Gilchrist
General Counsel
This report provides the total penalties settled in March 2023 which includes Civil, Supplemental Environmental Projects, Mutual Settlement Assessment Penalty Program, Hearing Board and Miscellaneous.
(Written Material Attached)

OTHER MATTERS

5. Other Business

Any member of the Committee, or its staff, on his or her own initiative or in response to questions posed by the public, may ask a question for clarification, may make a brief announcement or report on his or her own activities, provide a reference to staff regarding factual information, request staff to report back at a subsequent meeting concerning any matter, or may take action to direct staff to place a matter of business on a future agenda. (Gov't. Code Section 54954.2)

6. Public Comment Period

At the end of the regular meeting agenda, an opportunity is also provided for the public to speak on any subject within the Committee's authority that is not on the agenda. Speakers may be limited to three (3) minutes each.

7. Next Meeting Date: Friday, May 19, 2023 at 10:30 a.m.

ADJOURNMENT

Americans with Disabilities Act and Language Accessibility

Disability and language-related accommodations can be requested to allow participation in the Stationary Source Committee meeting. The agenda will be made available, upon request, in appropriate alternative formats to assist persons with a disability (Gov't Code Section 54954.2(a)). In addition, other documents may be requested in alternative formats and languages. Any disability or language related accommodation must be requested as soon as practicable. Requests will be accommodated unless providing the accommodation would result in a fundamental alteration or undue burden to the South Coast AQMD. Please contact Catherine Rodriguez at (909) 396-2735 from 7:00 a.m. to 5:30 p.m., Tuesday through Friday, or send the request to crodriguez@aqmd.gov.

Document Availability

All documents (i) constituting non-exempt public records, (ii) relating to an item on an agenda for a regular meeting, and (iii) having been distributed to at least a majority of the Committee after the agenda is posted, are available by contacting Catherine Rodriguez at (909) 396-2735, or send the request to crodriguez@aqmd.gov.

INSTRUCTIONS FOR ELECTRONIC PARTICIPATION

Instructions for Participating in a Virtual Meeting as an Attendee

As an attendee, you will have the opportunity to virtually raise your hand and provide public comment.

Before joining the call, please silence your other communication devices such as your cell or desk phone. This will prevent any feedback or interruptions during the meeting.

Please note: During the meeting, all participants will be placed on Mute by the host. You will not be able to mute or unmute your lines manually.

After each agenda item, the Chairman will announce public comment.

A countdown timer will be displayed on the screen for each public comment.

If interpretation is needed, more time will be allotted.

Once you raise your hand to provide public comment, your name will be added to the speaker list. Your name will be called when it is your turn to comment. The host will then unmute your line.

Directions for Video ZOOM on a DESKTOP/LAPTOP:

- If you would like to make a public comment, please click on the “**Raise Hand**” button on the bottom of the screen. This will signal to the host that you would like to provide a public comment and you will be added to the list.

Directions for Video Zoom on a SMARTPHONE:

- If you would like to make a public comment, please click on the “**Raise Hand**” button on the bottom of your screen. This will signal to the host that you would like to provide a public comment and you will be added to the list.

Directions for TELEPHONE line only:

- If you would like to make public comment, please **dial *9** on your keypad to signal that you would like to comment.



Proposed Amended Rule 1405



Control of Ethylene Oxide Emissions from Sterilization and Related Operations

STATIONARY SOURCE COMMITTEE
April 21, 2023



Ethylene Oxide (EtO) Background

- Rule 1405 controls EtO emissions from sterilization or fumigation processes
 - Adopted in 1990
- Sterilization facilities are also subject to
 - State Air Toxic Control Measure (ATCM)
 - Federal National Emission Standards for Hazardous Air Pollutants (NESHAP)
- Monitoring efforts identified elevated ambient EtO levels and the need for new measures



PAR 1405 is a technology-based rule reducing EtO based on best available and achieved-in-practice technology



EtO Background (con't)

Key Characteristics

- Gas that is colorless and flammable
- Carcinogenic with both acute and chronic health effects, including reproductive harm to men and women

Key Use: Sterilization of Medical Devices

- Approximately 50% of medical devices are sterilized with EtO in U.S.
 - Method of sterilization subject to U.S. FDA approval
- High efficacy in penetrating medical devices and packaging
- Use for medical devices that are heat-sensitive, moisture-sensitive, or contain electronics



Key Challenge: Balancing competing public health goals of ensuring patient safety and protecting ambient air

3



EtO Health Risk Value – Recent Timeline

2016

U.S. EPA updated risk values for EtO, which was challenged

The 2016 risk values are **30 to 50 times higher** than previously reported by U.S. EPA

January 2022

U.S. EPA confirmed 2016 risk values

March 2022

South Coast AQMD began investigating facilities that emit EtO

April 2023

California's OEHHA released draft updated EtO risk values

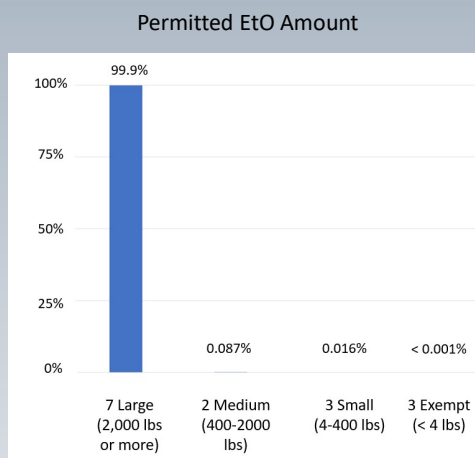
OEHHA's draft values are in line with EPA's 2016 findings, showing higher toxicity of EtO than previously reported

4



Universe of Sterilization Facilities

- A total of 15 facilities performing EtO sterilization in South Coast AQMD
- Almost all EtO usage from large facilities (permitted for 2,000 lbs or more of EtO)
 - Four contract sterilizers
 - Three medical manufacturers
 - Mobile monitoring performed at all seven large sterilization facilities
- One facility accounts for half of permitted used



5



South Coast AQMD EtO Investigation

Monitoring Approach

- 1) Mobile monitoring used for initial screening
 - Prioritize facilities with high emission potentials
 - 2) If elevated signal detected, canister samples collected
 - 3) If canister samples confirmed elevated EtO levels, periodic ambient monitoring conducted at fenceline and in nearby community
- Monitoring efforts are ongoing

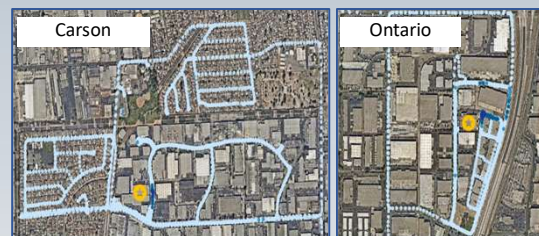
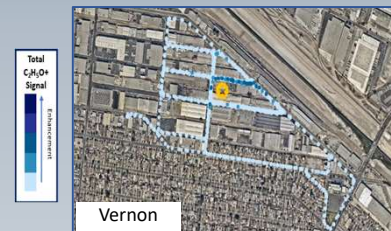


6



EtO Investigation Findings

- Among all sterilization facilities monitored, elevated ambient EtO levels measured outside three large sterilization facilities
 - EtO levels drop significantly a few hundred feet away from source
 - Levels at all nearby residential communities were within typical background levels
 - Two facilities are under the AB 2588 (Air Toxics Hot Spots Program) and required to implement an Early Action Reduction Plan
 - Third facility voluntarily shut down in August 2022 to install additional controls; ambient EtO levels drop significantly



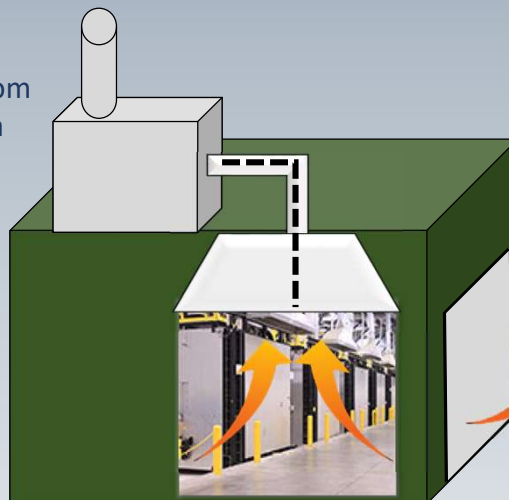
7



Types of Emissions at Sterilization Facilities

Stack Emissions

Emissions originate from a fixed point, such as a stack



Fugitive Emissions

Emissions which escape facility, excluding exhaust stack emissions

8



Overview of Commercial Sterilization Process



Validation Protocol

- Developed prior to routine sterilization
- Approved by U.S. FDA



Pre-conditioning

- Products preconditioned at certain relative humidity and temperature



Sterilization

- Products exposed to EtO
- Vented to control equipment



Aeration

- Residual EtO off-gas to meet allowable limits
- Vented to control equipment



Post-Aeration

- Sterilized products may continue to off-gas
- Potential source of fugitive emissions

Sources of images: homedepot.com, steris-ast.com, sterisys.eu, imgur.com

9



Sterilization Facilities - Key Proposed Requirements for Stack Emissions

Enhanced stack performance standards

Large facility:

- (1) Either 99.99% control efficiency or 0.01 parts per million (ppm) concentration limit and
- (2) Facility-wide mass limit of 0.025 pounds per hour

Medium/small facility:

- Either 99.9% or 0.01 ppm

Continuous Monitoring for Large Facilities

- Measure EtO levels at stack at least every minute (CEMS) or every 15 minutes (SCEMS) with data recording



Fourier Transform Infrared (FTIR)



Cavity Ring-Down Spectroscopy (CRDS)



Gas chromatography-photoionization detection (GC-PID)

Most Stringent Requirements in Other Jurisdictions

99.9% or 0.2 ppm

10



Sterilization Facilities - Key Proposed Requirements for Fugitive Emissions

Permanent Total Enclosure (EPA Method 204)

- Applicable to areas with high fugitive emission potential
 - **Large facility:** All potential EtO sources
 - **Medium facility:** Sterilizer and aeration room (if separate), and immediate storage area
 - **Small facility:** Sterilizer and aeration room (if separate)

Above and beyond U.S. EPA Method 204

- Continuous monitoring of enclosure's inward air flow (differential pressure) every minute with data recording
- Monthly checks of inward air flow (facial velocity) at all natural draft openings

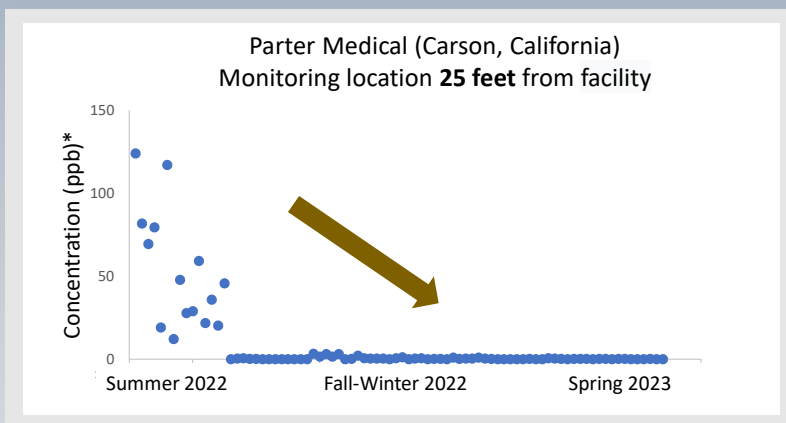
Leak Detection and Repair

- Applicable to areas not under a permanent total enclosure (PTE)
 - Daily audio-visual checks
 - Monthly inspections using a portable detector

11



Monitoring Data Before and After PTE



Similar decline in EtO concentrations were observed in a Medline facility in Illinois

After implementation of PTE and other measures, ambient EtO levels were reduced

12



Sterilization Facilities - Proposed Compliance Timelines and Other Key Proposed Requirements

Compliance Timelines

- **Large facility:** December 31, 2024 for stack and fugitive requirements
December 31, 2025 for continuous monitoring
- **Medium facility:** July 1, 2025
- **Small facility:** December 31, 2025

Recording for Large Facilities

- Beginning three months after rule adoption
- Record where the sterilized materials are shipped
- Label each pallet and bill of lading

13



Non-Sterilization Facilities - Key Proposed Requirements

- Warehouses have been identified as a potential source of EtO emissions as sterilized materials continue to off-gas
 - Monitoring conducted at 10 warehouses and one show elevated ambient EtO levels near fence line
- Limited data to evaluate emission potential and the appropriate control strategy
- PAR 1405 includes tracking and reporting requirements



Applicability

- Warehouses 100,000 square feet or larger registered with FDA
- Warehouse designated by the Executive Officer as a potential source of EtO



Requirements

- Track for one year the amount of EtO sterilized products received directly from sterilizing facilities
- Submit a report

14



Impacts

Environmental Impacts

- Evaluating potential impacts under California Environmental Quality Act (CEQA)
- Preparing appropriate CEQA documentation

Costs

- Evaluating cost to implement rule requirements
 - One-time costs (e.g., installation of control, continuous monitoring)
 - Recurring costs (e.g., operating and maintenance)
- Preparing a Socioeconomic Impact Assessment

15



Key Remaining Issue – Updated Risk Values

Stakeholder comments

- U.S. EPA risk values show EtO is more toxic than previously published
- OEHHA just released draft risk values for EtO on April 7, 2023
 - Reflects higher toxicity
- Using updated risk values, whether facilities are able to meet the risk requirements in Rule 1402 - Control of Toxic Air Contaminants from Existing Sources

Staff responses

- PAR 1405 will reduce EtO emissions and the associated risks across the industry
- Rule 1402 risk requirements are facility-specific
- Updated risk value may require some facilities to install multi-stage controls, implement process changes, and possibly curtail operations to comply



16



Key Remaining Issue - Delay PAR 1405

Stakeholder comment

- South Coast AQMD should pause PAR 1405 until U.S. EPA rulemaking on NESHAP is complete

Staff responses

- U.S. EPA's Proposed Rule released April 11, 2023 and South Coast AQMD staff is evaluating for any conflict between PAR 1405 and U.S. EPA NESHAP
 - Proposed Rule will go through its public process, and the time of final rule adoption is uncertain
- PAR 1405 would require facilities to install additional EtO controls as expeditiously as feasible and also address sterilization and related operations outside the scope of the NESHAP (i.e., warehouses)
- Rule 1405 can be amended to align with NESHAP requirements once finalized

The screenshot shows the EPA website page for the proposed rule. The title is "Ethylene Oxide Emissions Standards for Sterilization Facilities: National Emission Standards for Hazardous Air Pollutants (NESHAP)". The page includes a search bar, navigation tabs for "Environmental Topics", "Laws & Regulations", "Report a Violation", and "About EPA". There are links for "Related Topics" (Stationary Sources of Air Pollution) and "CONTACT US". The page content includes a "Rule Summary" section and a "Basic Information" sidebar with links to "Code of Federal Regulations Citations", "Docket Numbers", and "Ethylene Oxide (ETO) Subpart G".

17



Key Remaining Issue - Lack of Fenceline Monitoring Requirement

Stakeholder comment

- PAR 1405 should require fenceline monitoring

Staff responses

- For large facilities, PAR 1405 includes enhanced requirements including:
 - Fugitive emissions are captured 100% through a PTE, with minute-by-minute data to monitor PTE performance
 - Tightened stack control with emissions (include emissions from PTE) monitored either every 1 or 15 minutes with CEMS or SCEMS
- PAR 1405 would require facilities to install additional EtO controls as expeditiously as feasible
- U.S. EPA's Proposed Rule does not require fenceline monitoring
 - If state or federal regulations require fenceline monitoring, South Coast AQMD will implement these requirements
- Monitoring can occur via other action (e.g., AB2588, South Coast AQMD investigations)
 - Two large facilities are required to conduct fenceline monitoring via AB 2588

18



Key Remaining Issue – Feasibility of Implementation Timeline and Performance Standards

Stakeholder comment

- Implementation timeline of December 31, 2024 for large facilities is insufficiently short and more time is needed due to limited vendors, supply chain issues and surge of demand for control and monitoring equipment with U.S. EPA's rulemaking
- Performance standards are not feasible to achieve and should be less stringent

Staff responses

- Implementation timeline developed based on stakeholder input and three large sterilization facilities that have implemented or have committed to implement these control measures in a similar timeframe
- Performance standards are established based on source test data and monitoring data from sterilization facilities that have already recently upgraded their air pollution controls
- Continue to evaluate feasibility of proposed requirements



19



Next Steps



20

April 2023 Update on Work with U.S. EPA and CARB on New Source Review Issues for the RECLAIM Transition

At the October 5, 2018 Board meeting, the Board directed staff to provide the Stationary Source Committee with a monthly update of staff's work with U.S. EPA regarding resolving NSR issues for the transition of facilities from RECLAIM to a command-and-control regulatory structure. Key activities with U.S. EPA and CARB since the last report are summarized below.

- RECLAIM/NSR Working Group meeting was not held in April
- Next meeting scheduled for May 11, 2023 to discuss the latest considerations for proposed amendments to Regulation XIII and XX



South Coast Air Quality Management District

21865 Copley Drive, Diamond Bar, CA 91765-4178
(909) 396-2000 • www.aqmd.gov

Twelve-Month and Three-Month Rolling Average Price of Compliance Years 2022 and 2023 NOx and SOx RTCs (January – March 2023)

April 2023 Report to Stationary Source Committee

Table I

Twelve-Month Rolling Average Price Data for Compliance Year 2022 NOx RTCs
(Report to Governing Board if rolling average price greater than \$22,500/ton)¹

Twelve-Month Rolling Average Price Data for Compliance Year 2022 NOx RTC					
Reporting Month	12-Month Period	Total Volume Traded with Price During Past 12-month (tons)	Total Price of Volume Traded During Past 12-month (\$)	Number of Trades with Price	Rolling Average Price ² (\$/ton)
Jan-22	Jan-21 to Dec-21	165.4	\$5,473,709	18	\$33,085
Feb-22	Feb-21 to Jan-22	165.4	\$5,473,709	18	\$33,085
Mar-22	Mar-21 to Feb-22	165.4	\$5,473,709	18	\$33,085
Apr-22	Apr-21 to Mar-22	193.6	\$6,611,522	22	\$34,146
May-22	May-21 to Apr-22	194.6	\$6,656,124	24	\$34,198
Jun-22	Jun-21 to May-22	176.4	\$6,227,716	22	\$35,311
Jul-22	Jul-21 to Jun-22	174.8	\$6,373,786	24	\$36,457
Aug-22	Aug-21 to Jul-22	176.3	\$6,434,733	32	\$36,489
Sep-22	Sep-21 to Aug-22	174.6	\$6,443,413	33	\$36,894
Oct-22	Oct-21 to Sep-22	151.8	\$5,960,928	31	\$39,280
Nov-22	Nov-21 to Oct-22	155.6	\$6,005,989	44	\$38,611
Dec-22	Dec-21 to Nov-22	105.6	\$4,005,989	42	\$37,953
Jan-23	Jan-22 to Dec-22	87.8	\$3,238,965	41	\$36,871
Feb-23	Feb-22 to Jan-23	286.8	\$6,212,543	77	\$21,659
Mar-23	Mar-22 to Feb-23	356.0	\$7,298,709	93	\$20,501
Apr-23	Apr-22 to Mar-23	327.8	\$6,160,896	89	\$18,792

Table II

Twelve-Month Rolling Average Price Data for Compliance Year 2023 NOx RTCs
(Report to Governing Board if rolling average price greater than \$22,500/ton)¹

Twelve-Month Rolling Average Price Data for Compliance Year 2023 NOx RTC					
Reporting Month	12-Month Period	Total Volume Traded with Price During Past 12-month (tons)	Total Price of Volume Traded During Past 12-month (\$)	Number of Trades with Price	Rolling Average Price² (\$/ton)
Jan-23	Jan-22 to Dec-22	40.8	\$1,954,673	5	\$47,864
Feb-23	Feb-22 to Jan-23	40.9	\$1,956,548	6	\$47,866
Mar-23	Mar-22 to Feb-23	40.9	\$1,956,548	6	\$47,866
Apr-23	Apr-22 to Mar-23	40.9	\$1,956,548	6	\$47,866

Table III

Three-Month Rolling Average Price Data for Compliance Year 2022 NOx RTCs
(Report to Governing Board if rolling average price greater than \$35,000/ton)¹

Three-Month Rolling Average Price Data for Compliance Year 2022 NOx RTC					
Reporting Month	3-Month Period	Total Volume Traded with Price During Past 3-month (tons)	Total Price of Volume Traded During Past 3-month (\$)	Number of Trades with Price	Rolling Average Price² (\$/ton)
Jan-22	Oct-21 to Dec-21	97.4	\$3,780,324	10	\$38,803
Feb-22	Nov-21 to Jan-22	79.5	\$3,110,524	7	\$39,114
Mar-22	Dec-21 to Feb-22	29.5	\$1,110,524	5	\$37,614
Apr-22	Jan-22 to Mar-22	28.2	\$1,137,813	4	\$40,372
May-22	Feb-22 to Apr-22	29.2	\$1,182,415	6	\$40,506
Jun-22	Mar-22 to May-22	29.2	\$1,182,415	6	\$40,506
Jul-22	Apr-22 to Jun-22	21.3	\$852,942	6	\$40,000
Aug-22	May-22 to Jul-22	24.3	\$962,009	13	\$39,531
Sep-22	Jun-22 to Aug-22	25.1	\$998,189	15	\$39,706
Oct-22	Jul-22 to Sep-22	4.8	\$189,849	11	\$39,359
Nov-22	Aug-22 to Oct-22	22.5	\$751,041	18	\$33,377
Dec-22	Sep-22 to Nov-22	21.7	\$714,861	16	\$32,946
Jan-23	Oct-22 to Dec-22	33.5	\$1,058,361	20	\$31,577
Feb-23	Nov-22 to Jan-23	210.8	\$3,317,078	40	\$15,735
Mar-23	Dec-22 to Feb-23	280.0	\$4,403,244	56	\$15,726
Apr-23	Jan-23 to Mar-23	268.2	\$4,059,744	52	\$15,138

Table IV

Three-Month Rolling Average Price Data for Compliance Year 2023 NOx RTCs
(Report to Governing Board if rolling average price greater than \$35,000/ton)¹

Three-Month Rolling Average Price Data for Compliance Year 2023 NOx RTC					
Reporting Month	3-Month Period	Total Volume Traded with Price During Past 3-month (tons)	Total Price of Volume Traded During Past 3-month (\$)	Number of Trades with Price	Rolling Average Price² (\$/ton)
Jan-23	Oct-22 to Dec-22	14.4	\$545,813	3	\$38,000
Feb-23	Nov-22 to Jan-23	14.4	\$547,688	4	\$38,031
Mar-23	Dec-22 to Feb-23	14.4	\$547,688	4	\$38,031
Apr-23	Jan-23 to Mar-23	0.04	\$1,875	1	\$50,000

¹ District Rule 2002 (f)(1)(H) requires that any rolling average price greater than the threshold triggers a report to the Governing Board. The Governing Board determined at the March 3, 2023 meeting that the requirements of Rule 2002 (f)(1)(H) are no longer applicable to the RECLAIM program, therefore this information is provided as a courtesy.

² District Rule 2015(b)(6) - Backstop Provisions provides additional "evaluation and review of the compliance and enforcement aspects of the RECLAIM program" if the average annual RTC price reported in the RECLAIM Annual Audit Report exceeds \$15,000 per ton. The average annual RTC price is reported to the Governing Board in March of each year. The Governing Board determined at the March 3, 2023 meeting that no additional analysis or action was required in response to the price threshold exceedance from the most recent report.

Table V

Twelve-Month Rolling Average Price Data for Compliance Year 2022 SOx RTCs
(Report to Governing Board if rolling average price greater than \$50,000/ton)³

Twelve-Month Rolling Average Price Data for Compliance Year 2022 SOx RTC					
Reporting Month	12-Month Period	Total Volume Traded with Price During Past 12-month (tons)	Total Price of Volume Traded During Past 12-month (\$)	Number of Trades with Price	Rolling Average Price ⁴ (\$/ton)
Jan-22	Jan-21 to Dec-21	None	-	-	-
Feb-22	Feb-21 to Jan-22	None	-	-	-
Mar-22	Mar-21 to Feb-22	None	-	-	-
Apr-22	Apr-21 to Mar-22	None	-	-	-
May-22	May-21 to Apr-22	None	-	-	-
Jun-22	Jun-21 to May-22	None	-	-	-
Jul-22	Jul-21 to Jun-22	None	-	-	-
Aug-22	Aug-21 to Jul-22	None	-	-	-
Sep-22	Sep-21 to Aug-22	None	-	-	-
Oct-22	Oct-21 to Sep-22	None	-	-	-
Nov-22	Nov-21 to Oct-22	None	-	-	-
Dec-22	Dec-21 to Nov-22	None	-	-	-
Jan-23	Jan-22 to Dec-22	131.5	\$262,908	6	\$2,000
Feb-23	Feb-22 to Jan-23	135.3	\$273,999	8	\$2,025
Mar-23	Mar-22 to Feb-23	135.3	\$273,999	8	\$2,025
Apr-23	Apr-22 to Mar-23	135.3	\$273,999	8	\$2,025

Table VI

Twelve-Month Rolling Average Price Data for Compliance Year 2023 SOx RTCs
(Report to Governing Board if rolling average price greater than \$50,000/ton)³

Twelve-Month Rolling Average Price Data for Compliance Year 2023 SOx RTC					
Reporting Month	12-Month Period	Total Volume Traded with Price During Past 12-month (tons)	Total Price of Volume Traded During Past 12-month (\$)	Number of Trades with Price	Rolling Average Price ⁴ (\$/ton)
Jan-23	Jan-22 to Dec-22	None	-	-	-
Feb-23	Feb-22 to Jan-23	None	-	-	-
Mar-23	Mar-22 to Feb-23	None	-	-	-
Apr-23	Apr-22 to Mar-23	None	-	-	-

-
- ³ Pursuant to District Rule 2002(f)(1)(Q), the requirement to report 12-month rolling average SOx RTC price ended February 1, 2020. This table is provided as a courtesy.
- ⁴ District Rule 2015(b)(6) - Backstop Provisions provides additional “evaluation and review of the compliance and enforcement aspects of the RECLAIM program” if the average annual RTC price reported in the RECLAIM Annual Audit Report exceeds \$15,000 per ton. The average annual RTC price is reported to the Governing Board in March of each year.

**SOUTH COAST AIR QUALITY MANAGEMENT DISTRICT
General Counsel's Office**

Settlement Penalty Report (03/01/2023 - 03/31/2023)

Total Penalties

Civil Settlement: \$232,318.00
Hearing Board Settlement: \$7,000.00
MSPAP Settlement: \$27,339.00

Total Cash Settlements: \$266,657.00

Fiscal Year through 03/31/2023 Cash Total: \$4,412,244.71

Fac ID	Company Name	Rule Number	Settled Date	Init	Notice Nbrs	Total Settlement
Civil						
185836	CASSADY ROOFING, INC.	40 CFR 61.145, 1403	03/29/2023	ND	P67525	\$10,900.00
148925	CHERRY AEROSPACE	2012	03/01/2023	ND	P68669	\$2,727.50
800372	EQUILON ENTER. LLC, SHELL OIL PROD. US	462, 2004, 2012 Appendix A, 3002	03/01/2023	EC	P67380, P69255, P69285	\$4,000.00
12332	GATX CORPORATION	3002	03/01/2023	JL	P74107, P74131	\$9,819.00
190666	H&T SEAFOOD, INC.	1415.1	03/03/2023	SH	P67025	\$1,000.00
97578	HI TECH ENVIRONMENTAL SVCS, INC.	222, 1403	03/24/2023	BT	P65934, P68810, P69443	\$2,000.00
177197	IDCS CONSTRUCTION	40 CFR 61.145, 1403	03/10/2023		P72964	\$3,900.00
193175	JEFFERSON, BARBARA L TRUST	40 CFR 61.145, 1403	03/08/2023	ND	P67529	\$1,865.00
155877	MILLERCOORS USA, LLC	2004, 2012 Appendix A, 3002	03/01/2023	EC	P66122, P66129, P66130, P66144	\$14,200.00
163406	P.W. STEPHENS ENVIRONMENTAL, INC.	40 CFR 61.145, 1403	03/24/2023	BT	P64590, P64591, P65515, P65918, P65929, P66442, P67407, P67490, P68801, P69404, P69421, P69832, P70135, P70289, P74423, P74439, P74572, P74588, P76228	\$56,900.00

Fac ID	Company Name	Rule Number	Settled Date	Init	Notice Nbrs	Total Settlement
140518	SHANCOR TESTING	461, 1166	03/29/2023	ND	P66023, P67604, P68446, P70233, P70367	\$28,689.50
101977	SIGNAL HILL PETROLEUM, INC.	1173, 203, 2004	03/29/2023	JL	P66516, P66849, P73367, P74525	\$33,373.50
170543	SIGNAL HILL PETROLEUM, INC.	203, 463	03/08/2023	ND	P66841, P69295	\$16,926.00
183009	SIGNAL HILL PETROLEUM, INC.	203, 463	03/29/2023	JL	P69267	\$8,782.50
800436	TESORO REFINING AND MARKETING CO., LLC	221, 463, 1105.1, 1118, 1173, 1176, 2012, 3002	03/22/2023	DH	P63370, P68964, P68966, P68968	\$1,000.00
800288	UNIV CAL IRVINE (NSR USE ONLY)	218, 3002	03/08/2023	JL	P68591, P68596, P76404	\$19,638.00
192287	WHITTIER BROKERS	40 CFR 61.145, 1403	03/08/2023	ND	P67526	\$3,597.00
177720	ZOUHEIR OIL, INC.	461, 41960.2	03/29/2023	JL	P69624, P69631, P69636	\$13,000.00
Total Civil Settlements : \$232,318.00						
Hearing Board						
112573	FREUND BAKING COMPANY	1153.1	03/29/2023	JL	6226-1	\$3,500.00
112573	FREUND BAKING COMPANY	1153.1	03/01/2023	JL	6226-1	\$3,500.00
Total Hearing Board Settlements : \$7,000.00						
MSPAP						
147870	ARCO OF DOWNEY	461	03/24/2023	GV	P78651	\$718.00
57088	ASSOCIATED READY MIXED CONCRETE	403	03/03/2023	MT	P76410	\$4,455.00
194813	DR HORTON DEL SOL PROJECT	403	03/17/2023	GV	P64790	\$4,455.00
115888	INTERNATIONAL FORKLIFT CO., INC	203	03/03/2023	GV	P74458	\$1,337.00
155794	LAX WHEEL REFINISHING, INC.	203, 1147	03/10/2023	GV	P76302	\$6,415.00
101461	ORTIZ ENTERPRISES, INC.	403	03/07/2023	GV	P68787	\$2,807.00
135682	VASQUEZ MAINTENANCE	1166	03/03/2023	GV	P70198	\$1,524.00
173722	WESTERN OIL, INC.	41960, 461	03/17/2023	GV	P74822	\$2,118.00
52142	YOLANDAS PLATING	203, 1469	03/03/2023	GV	P70148	\$3,510.00
Total MSPAP Settlements : \$27,339.00						

**SOUTH COAST AQMD'S RULES AND REGULATIONS INDEX
FOR MARCH 2023 PENALTY REPORT**

REGULATION II - PERMITS

- Rule 203 Permit to Operate
- Rule 218 Continuous Emission Monitoring
- Rule 221 Plans
- Rule 222 Filing Requirements for Specific Emission Sources Not Requiring a Written Permit Pursuant to Regulation II.

REGULATION IV - PROHIBITIONS

- Rule 403 Fugitive Dust - *Pertains to solid particulate matter emitted from man-made activities.*
- Rule 461 Gasoline Transfer and Dispensing
- Rule 462 Organic Liquid Loading
- Rule 463 Storage of Organic Liquids

REGULATION XI - SOURCE SPECIFIC STANDARDS

- Rule 1105.1 Reduction of PM and Ammonia Emissions from Fluid Catalytic Cracking Units
- Rule 1118 Emissions from Refinery Flares
- Rule 1147 NOx Reductions from Miscellaneous Sources
- Rule 1153.1 Emissions of Oxides of Nitrogen from Commercial Food Ovens
- Rule 1166 Volatile Organic Compound Emissions from Decontamination of Soil
- Rule 1173 Fugitive Emissions of Volatile Organic Compounds
- Rule 1176 Sumps and Wastewater Separators

REGULATION XIV - TOXICS

- Rule 1403 Asbestos Emissions from Demolition/Renovation Activities
- Rule 1415.1 Reduction of Refrigerant Emissions from Stationary Refrigeration Systems
- Rule 1469 Hexavalent Chromium Emissions from Chrome Plating and Chromic Acid Anodizing Operations

REGULATION XX - REGIONAL CLEAN AIR INCENTIVES MARKET (RECLAIM)

- Rule 2004 Requirements
- Rule 2012 Requirements for Monitoring, Reporting, and Recordkeeping for Oxides of Nitrogen (NOx) Emissions
- Appendix A
- Rule 2012 Protocol for Monitoring, Reporting, and Recordkeeping for Oxides of Nitrogen (NOx) Emissions

REGULATION XXX- TITLE V PERMITS

Rule 3002 Requirements

CODE OF FEDERAL REGULATIONS

40 CFR 61.145 Standard for Demolition and Renovation

CALIFORNIA HEALTH AND SAFETY CODE

41960 Certification of Gasoline Vapor Recovery System

41960.2 Gasoline Vapor Recovery